

4

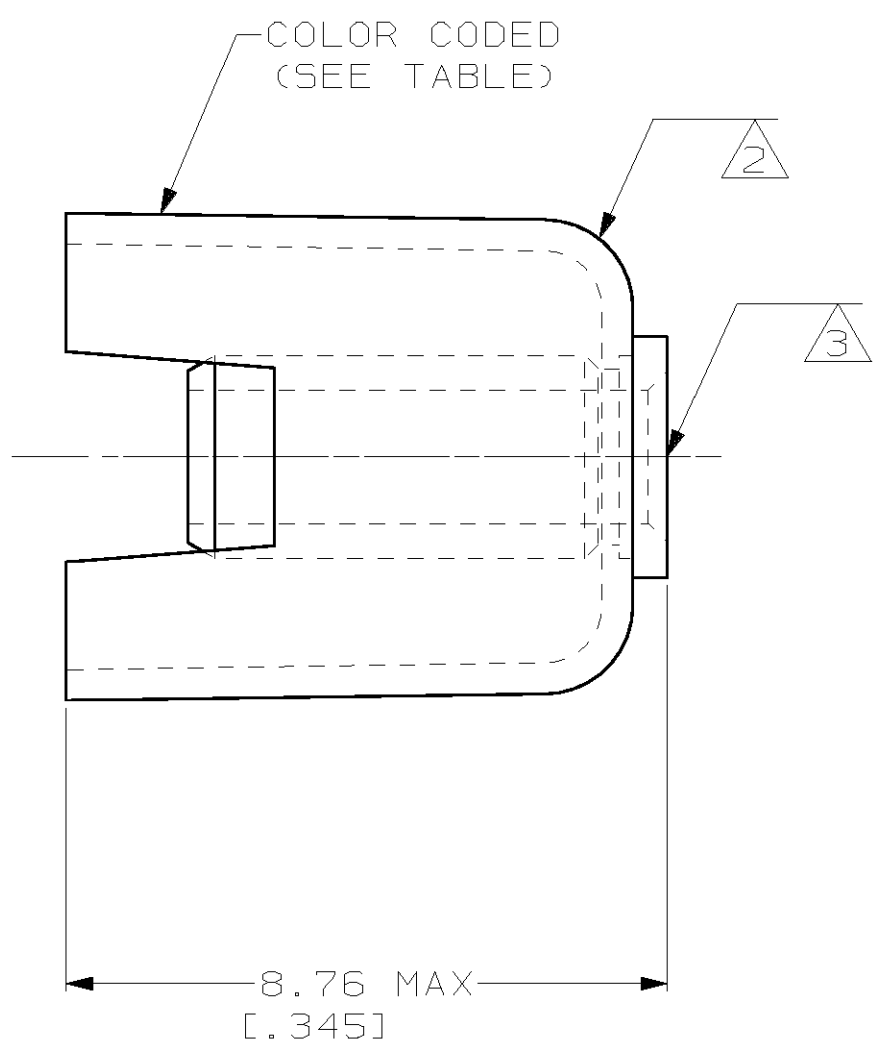
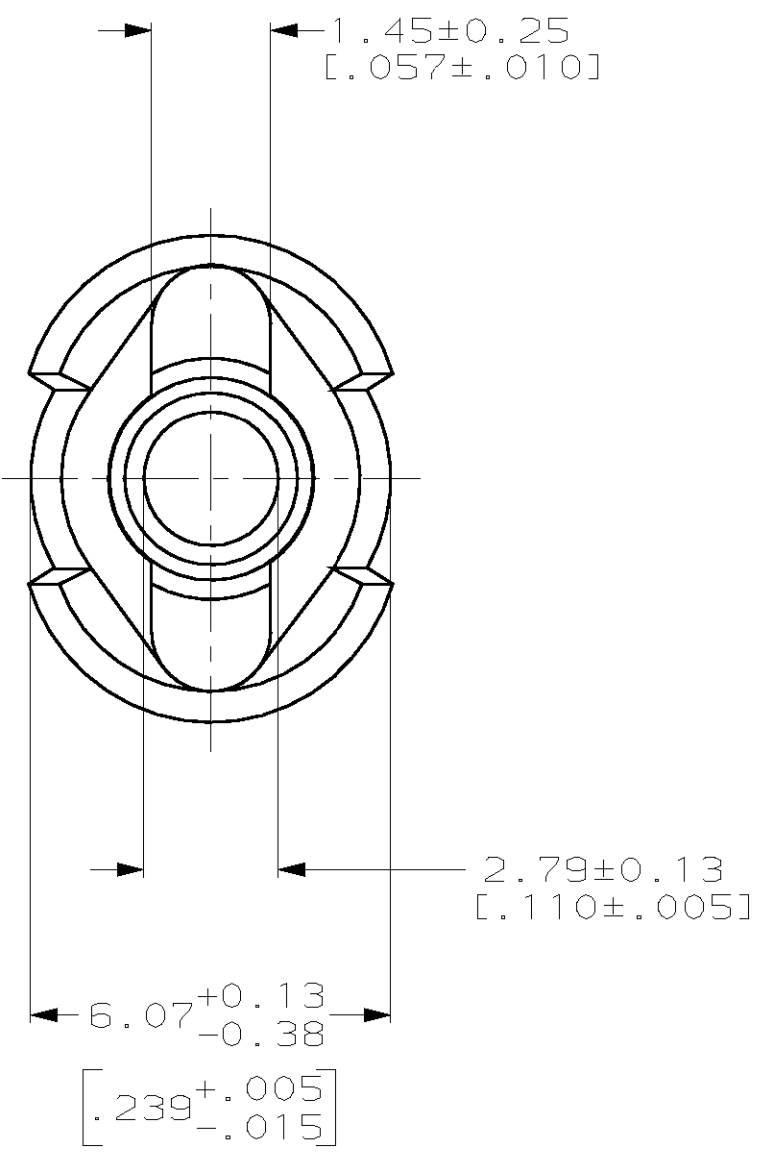
3

2

1

THIS DRAWING IS UNPUBLISHED. RELEASED FOR PUBLICATION, 19 .
 © COPYRIGHT 19 BY AMP INCORPORATED. ALL RIGHTS RESERVED.

| LOC | DIST | REVISIONS | | | |
|-----|------|-------------|----------------------|---------|----------|
| P | LTR | DESCRIPTION | DATE | DWN | APVD |
| AJ | 16 | T | REV PER 0U20-0563-00 | 19OCT00 | MO JL |



- 1 ZINC PLATE PER QQ-Z-325
- 2 COPPER PER QQ-C-576
- 3 BRASS PER ASTM-B-16
- 4 TIN PLATE PER MIL-T-10727

INSULATION DIA: 2.16-2.41
 [.085-.095]

| OBSOLETE | .0247 OZ | NONE | 4 | 2-323932-3 |
|----------|----------|--------|-------------|------------|
| | .0247 OZ | BROWN | 4 | 2-323932-2 |
| OBSOLETE | - | BROWN | 4 | 2-323932-1 |
| | .0247 OZ | BROWN | 1 | 323932 |
| WEIGHT | COLOR | FINISH | PART NUMBER | |

| | | | | |
|---|--|-----------------------------------|---|--------------------|
| THIS DRAWING IS A CONTROLLED DOCUMENT. | | DWN J.L. GROFT 1-3-97 | AMP Incorporated Harrisburg, PA 17105-3608 | |
| DIMENSIONS: mm [INCHES] | | CHK S.W. BURKHOLDER 1-3-97 | | |
| TOLERANCES UNLESS OTHERWISE SPECIFIED: | | APVD S.W. BURKHOLDER 1-3-97 | NAME FERRULE ASSEMBLY, TERMASHIELD | |
| 0 PLC ±- 1 PLC ±- 2 PLC ±- 3 PLC ±- 4 PLC ±- ANGLES ±- | | PRODUCT SPEC - | DRAWING NO C-323932 | |
| MATERIAL SEE NOTES | | APPLICATION SPEC - | SIZE A3 | CAGE CODE 00779 |
| FINISH SEE NOTES | | WEIGHT - | SCALE 10:1 SHEET 1 OF 1 REV T | |
| CUSTOMER DRAWING | | | | |